

# Konetic Pod System User Manual

**15** years expected lifetime, over 15,000 test cycles completed without fault.

**Note:** This document shows a key switch type operational interface, which is the recommended type.

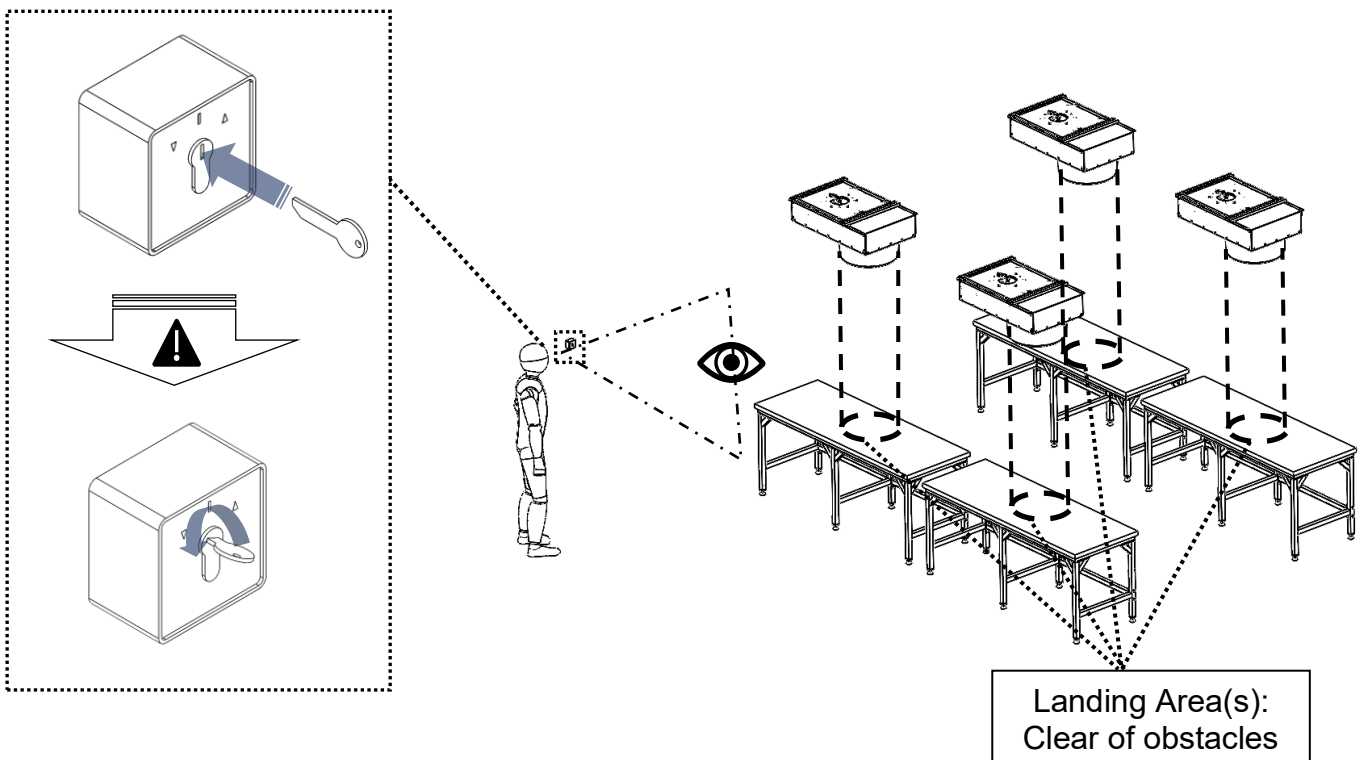
**! WARNING:** All gas and electrical systems are to be checked periodically as per current regulations and standards.

## Lowering Delivery Pod

**! IMPORTANT:** Before operating the Pod ensure that all units to be activated are in line of sight, and the area directly below is clear.

1. Check landing area for Pod delivery system is clear of obstacles, objects, or personnel.
2. Insert Switch key (activate switch).
3. Turn to down position.
4. Lower the Delivery Pod until it contacts the table (supporting structure) and is stopped by the internal sensor automatically.
5. Turn the Key switch (activate switch) to off position, remove key and store in a secure location.

**! IMPORTANT:** Never leave the Pod(s) in partially lowered position.



### Operational position



- Confirm that the Delivery Pod is fully supported on the feet.
- Never hang or support objects from the Delivery Pod, or Umbilical.
- While lowered visually check for any signs of damage to the umbilical or pod system which might affect Pod operation. If damage is noted, contact service engineer prior to retracting system.

### Raising the Delivery Pod

1. Check landing area and areas above are clear of obstacles, objects, or personnel.
2. Insert Switch key (activate switch).
3. Turn to up position.
4. Raise the Delivery Pod until it is fully raised and is stopped by the internal sensor automatically.
5. Turn the Key switch (activate switch) to off position, remove key and store in a secure location.



**IMPORTANT:** Never leave the Pod(s) in the partially raised position.

