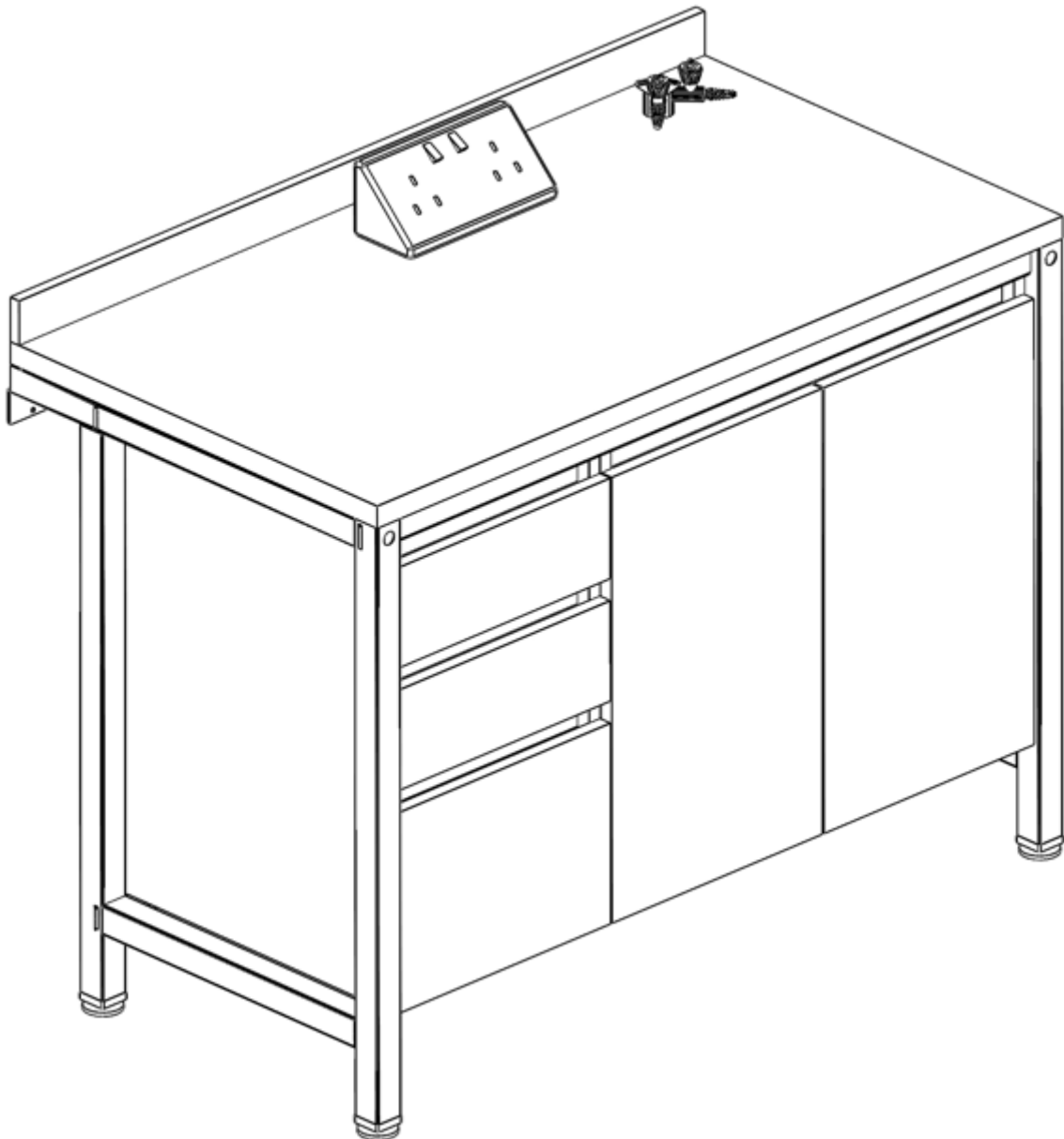


Konvolve System
Installation Manual



CONTENTS

SAFETY ICONS 2

TOOLS REQUIREMENTS FOR TYPICAL INSTALLATION..... 3

POD ASSEMBLY OVERVIEW 4

INSTALLATION/USER WARNINGS 5

ASSEMBLING THE FRAME 1 6

ASSEMBLING THE FRAME 2 7

ASSEMBLING THE FRAME 3 8

ASSEMBLE THE WORKTOP 9

ATTACH WALL MOUNTS (IF REQUIRED)..... 10

ASSEMBLING MOBILE STORAGE UNIT 11

CONNECTING A UNDER TABLE UNIT 12

ATTACHING 2 FRAMES..... 13

MAINTENANCE 14

WARRANTY 15

SAFETY



RISK OF ELECTRIC SHOCK



SOME PARTS CAN BE RECYCLED



INSTALLATION/USER MANUAL, READ BEFORE OPERATING
THE EQUIPMENT



SPECIAL WARNING, READ CAREFULLY

TOOLS REQUIREMENTS FOR TYPICAL INSTALLATION



IMPACT DRIVER

ELECTRIC DRILL: DEPENDING ON INSTALLATION TYPE

DRILL BITS Ø: 4mm (DEPENDING ON INSTALLATION TYPE)

SCREWDRIVER: Pozi No3 and No 4 (DEPENDING ON INSTALLATION TYPE)

ALLEN KEY: DEPENDING ON INSTALLATION TYPE

SPANNERS: 13mm (DEPENDING ON INSTALLATION TYPE)

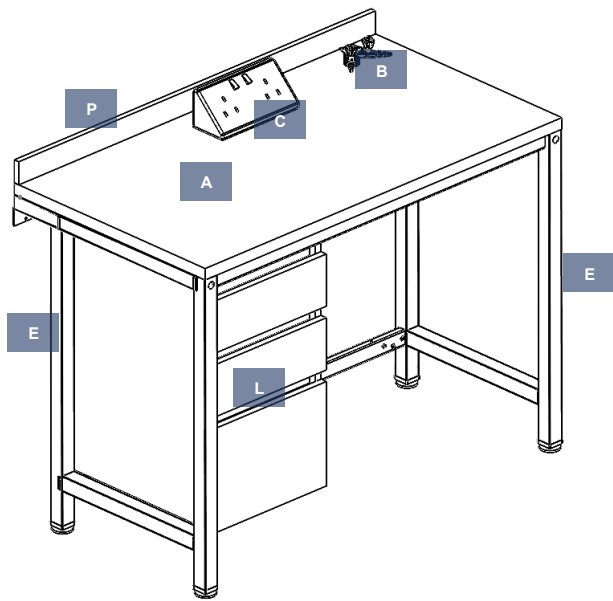
TAPE-MEASURE

PENCIL

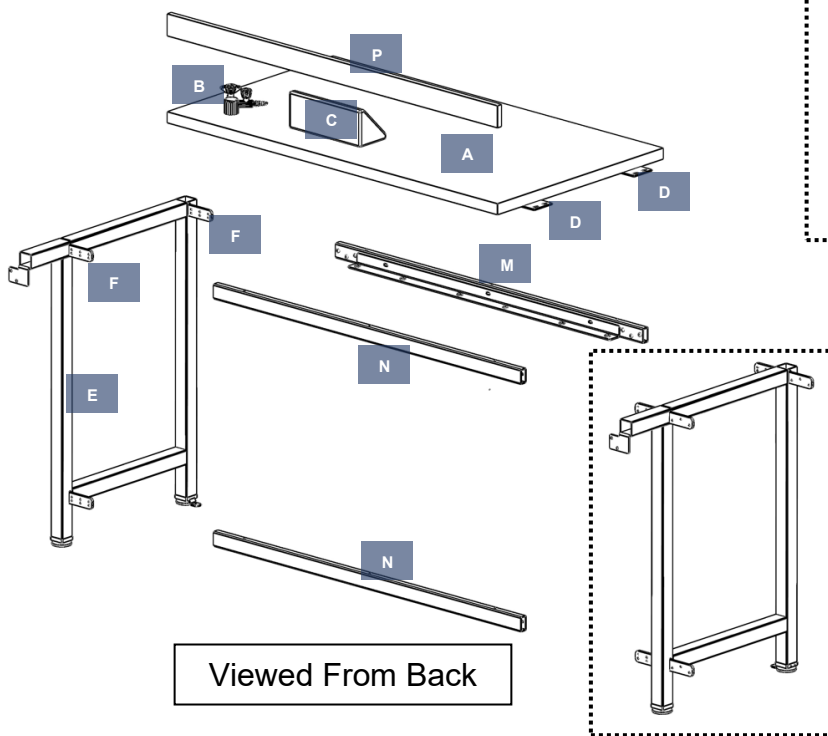
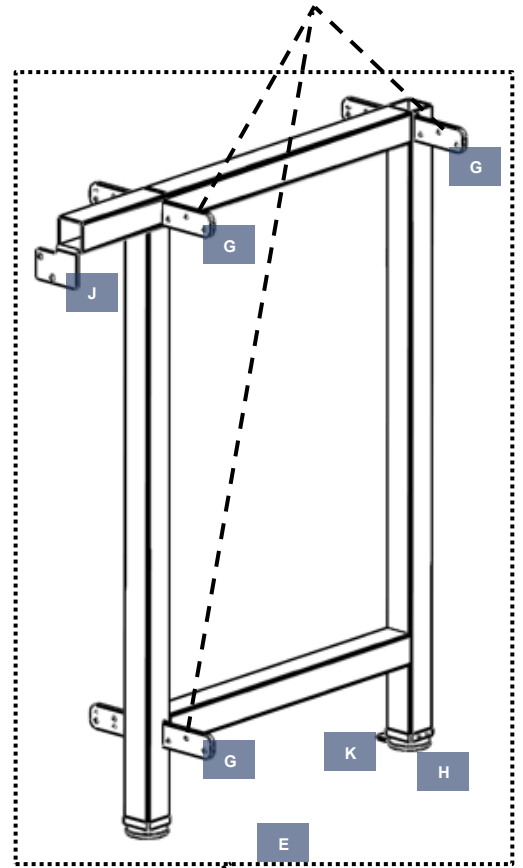
KNIFE

RUBBER MALLET

POD ASSEMBLY OVERVIEW



Only used if joining 2 or more units otherwise use corner bracket



Viewed From Back

- | | |
|------------------------------------|--------------------------------------|
| A Worktop | H Adjustable Foot |
| B Gas Outlet | J Wall Mount Bracket |
| C Electric Outlet | K Floor Mount Bracket |
| D Worktop Joint Bracket | L Storage Unit (Configurable) |
| E Leg Assembly | M Hanging Rail |
| F Single Sided Fixing Plate | N Rail |
| G Double Sided Fixing Plate | P Upstand |

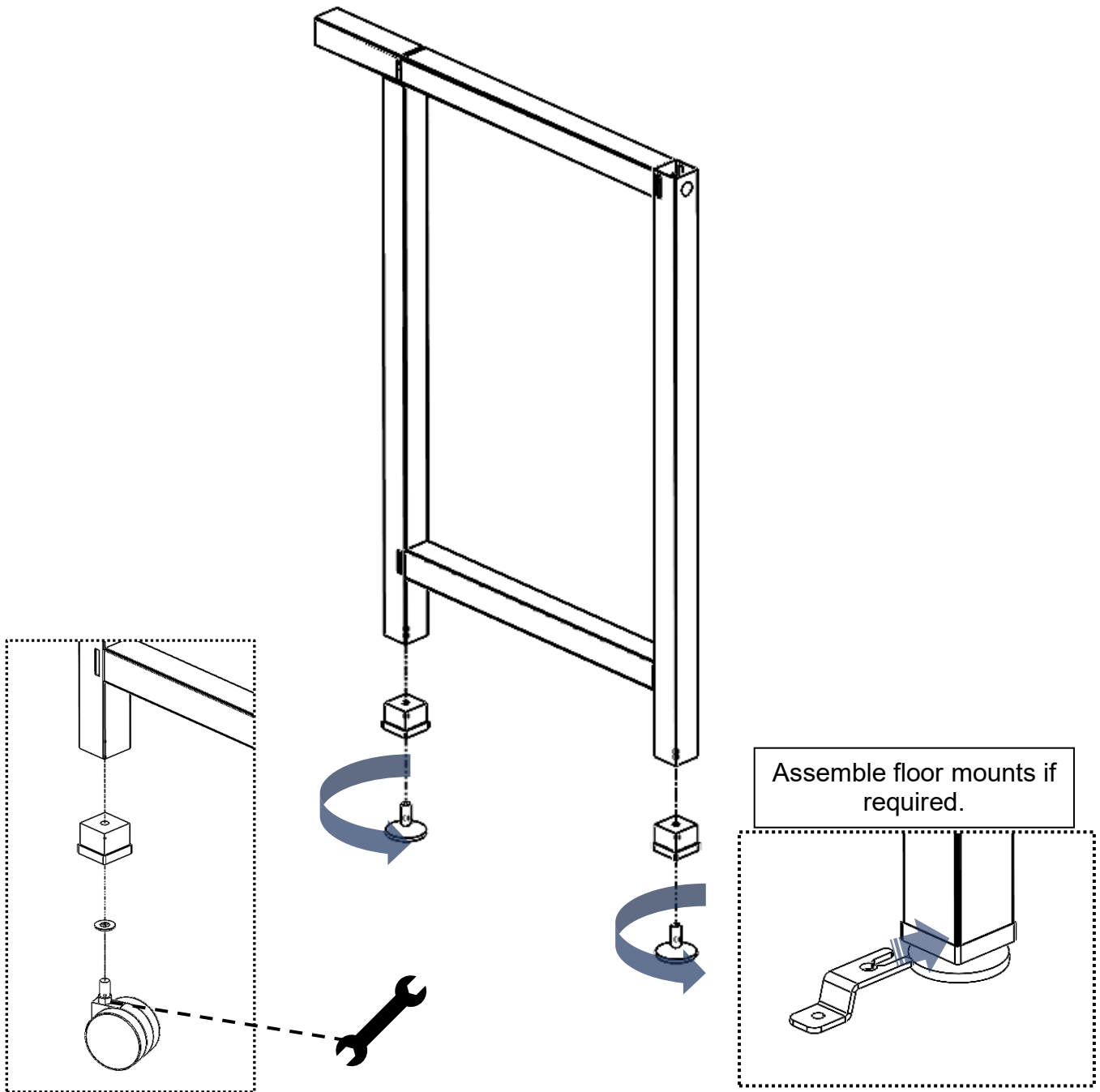
INSTALLATION/USER WARNINGS

- System to be installed in conjunction with a gas proving unit. (For Gas configurations)
- Electrical system to be periodically tested as outline in BS 7671. (For Electric configurations)
- Units should be lifted by 2 persons.
- Only suitably experienced personnel should undertake installation.
- All gas and electrical connections are to be completed by suitably qualified personnel, and subsequently tested.

ASSEMBLING THE FRAME 1

1. Insert bung into base of leg, use rubber mallet as required.
2. Screw in feet or castor depending on configuration (2x per leg). For castors install using washer first. (Drill required)

NOTE: Screw the feet or castor in fully at this stage, these can be used to adjust height/angle later.



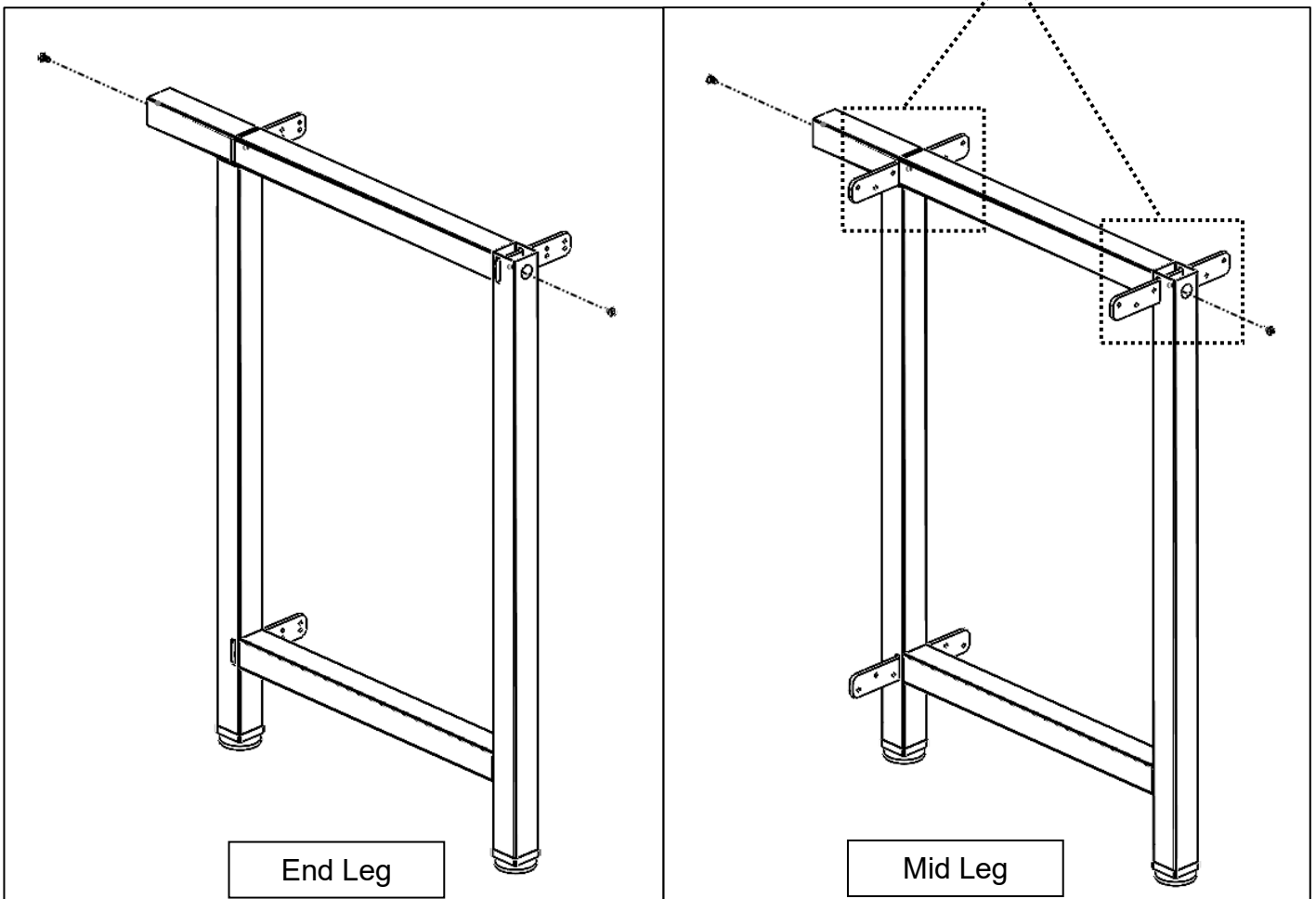
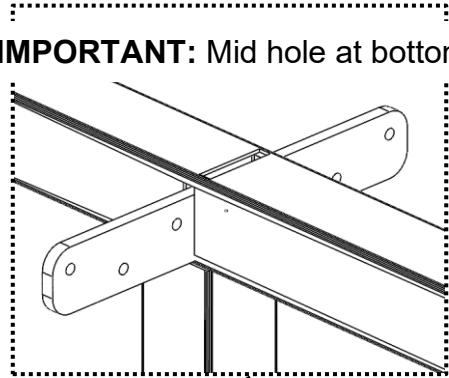
ASSEMBLING THE FRAME 2

1. Slide appropriate brackets through the slots on the side of the leg. (Use rubber mallet as required)
2. Attach Corner or Mid Brackets (dependant of Configuration) using single M8 screw per bracket in locations shown.

NOTE: For the rear bracket an extension bit tool will be required to tighten properly.



IMPORTANT: Mid hole at bottom

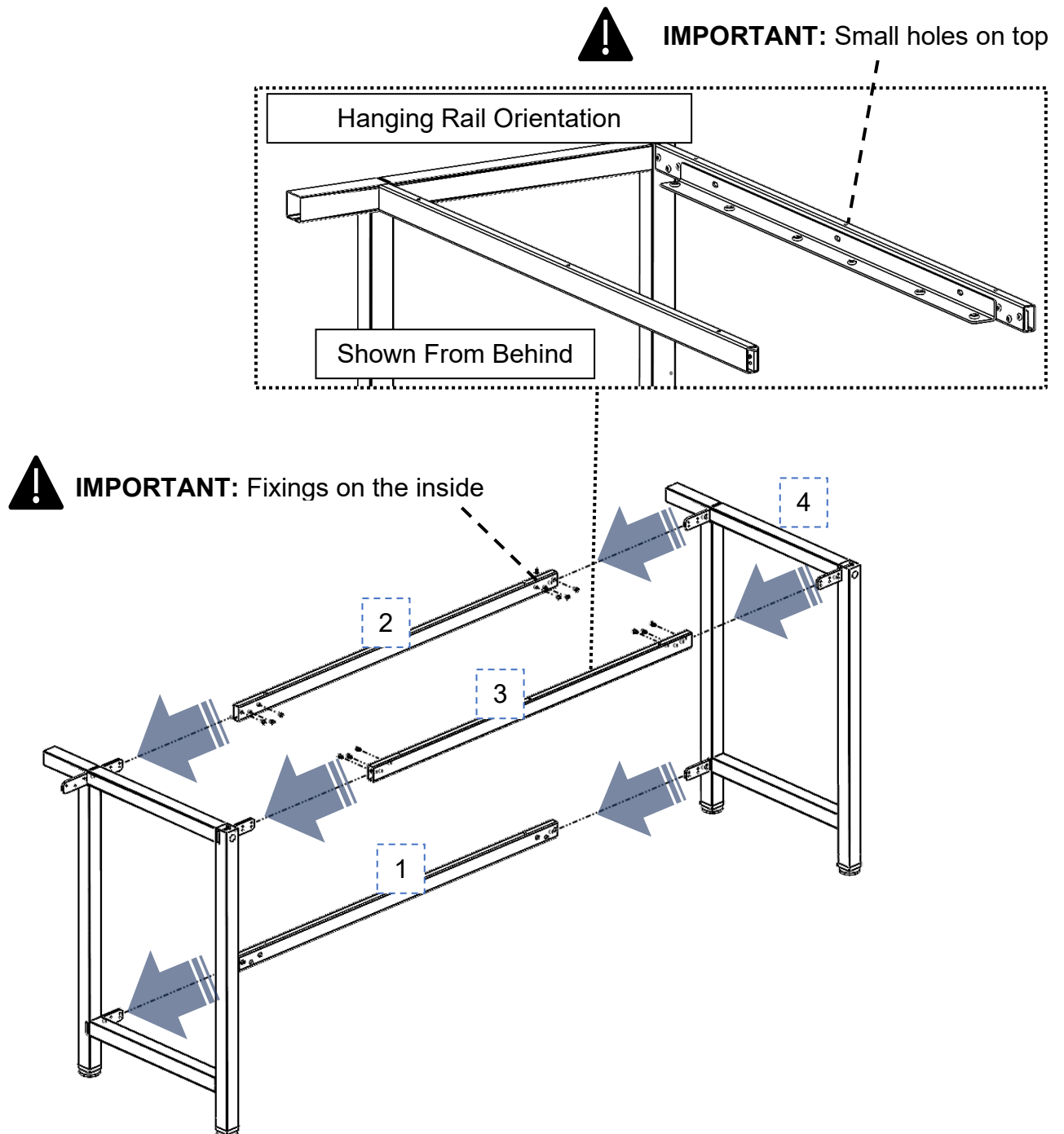


ASSEMBLING THE FRAME 3

! **IMPORTANT:** Hanging Rail must be assembled in the front of the frame with the L bracket orientated as shown.

TIP: 2 people are recommended for this stage of the assembly.

1. Fit bottom bar.
2. Attach top rear bar.
3. Fit Hanging Bar
4. Attach end frame.

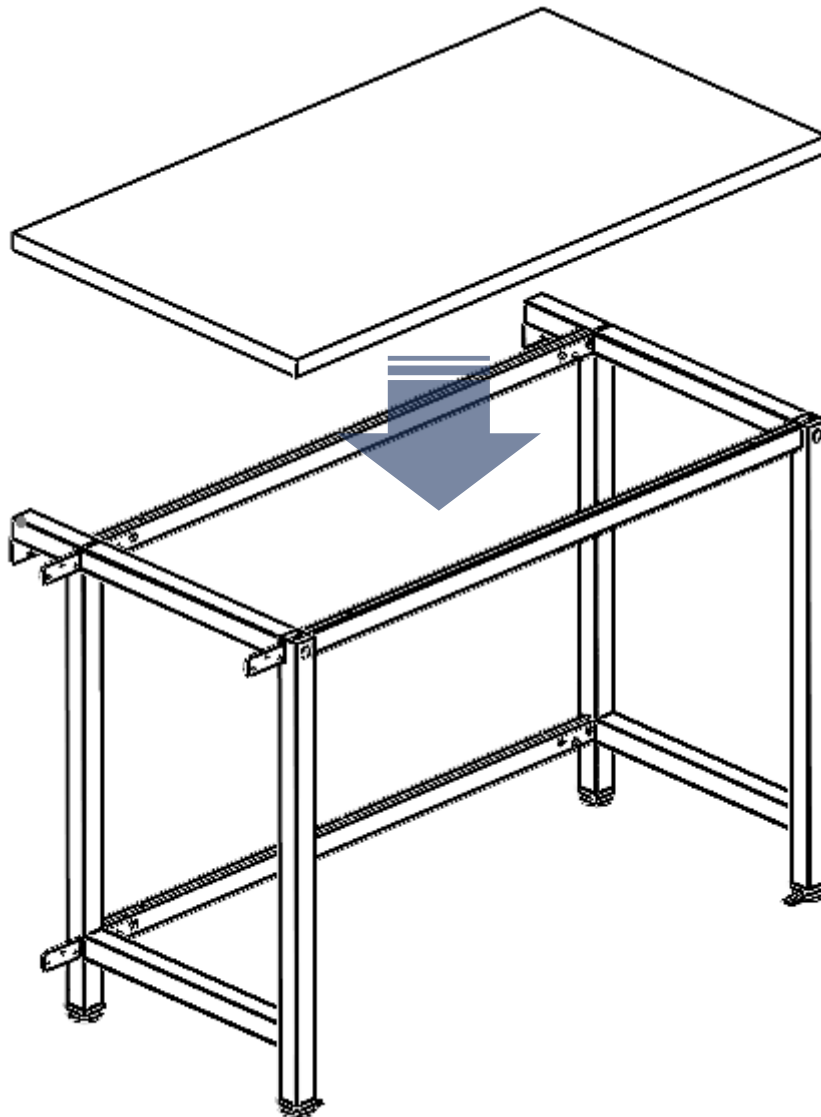


ASSEMBLE THE WORKTOP

! **IMPORTANT:** If worktop has a sink unit, this should be assembled prior to assembly of the worktop.

1. Lower the worktop into position and align.
2. Use Adjustable feet to level up (if required).
3. Drill for electrical/Gas as applicable at this stage.
4. Align and attach the upstand (if required).

NOTE: Worktops are pre-drilled. Use Trespa screws supplied.

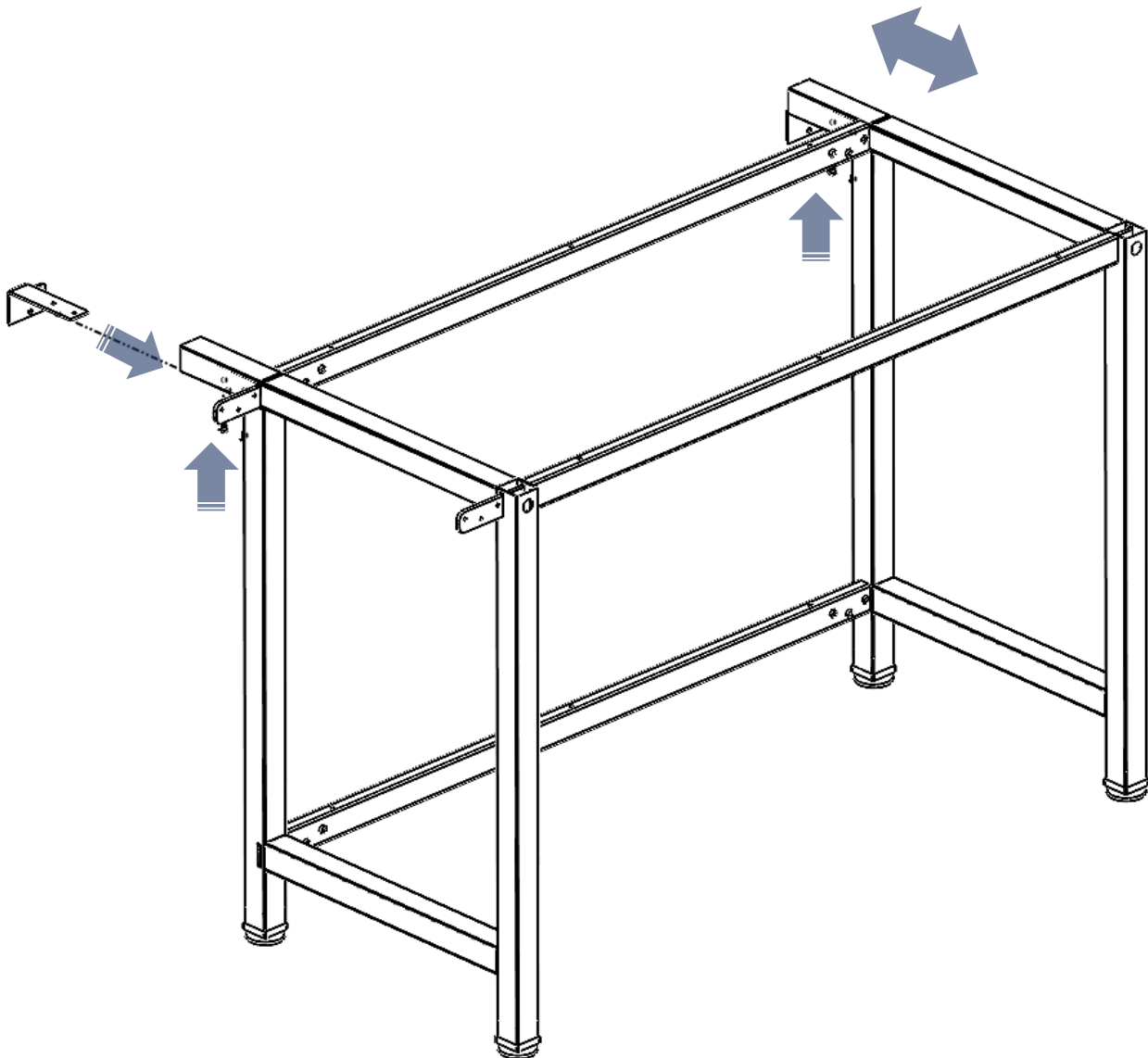


ATTACH WALL MOUNTS (IF REQUIRED)

Note: Not all installations require wall or foot mounts.

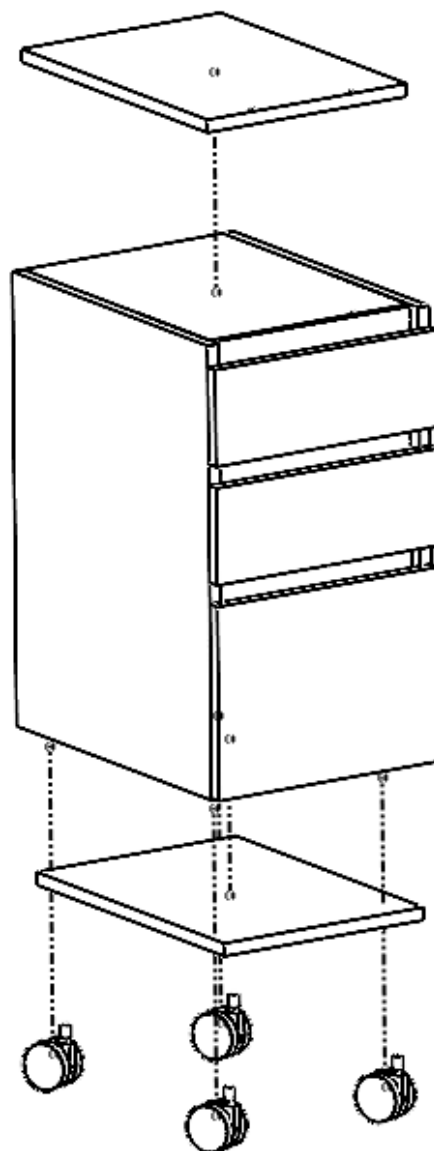
1. Attach wall mount to frame using 2 x screws and nuts.
2. Adjust linear position as required by loosening screw moving and re-tightening.

Note: worktop should be installed prior to attaching to wall. Worktop hidden in this view for clarity



ASSEMBLING MOBILE STORAGE UNIT

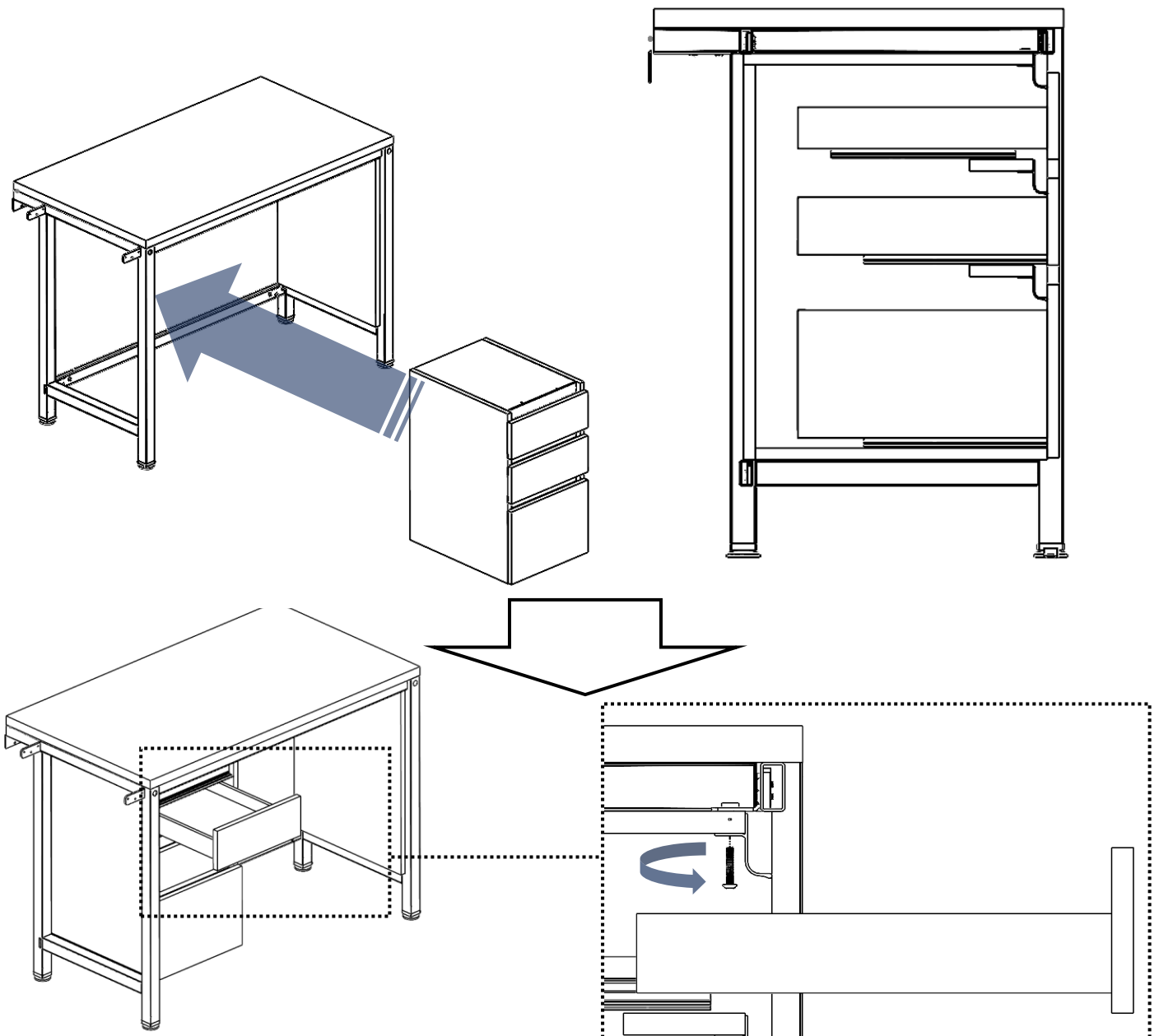
1. Attach additional top panel fixing from inside the unit.
2. Fix the base to the unit from outside.
3. Attach the castors to the predrilled holes in the base.



CONNECTING A UNDER TABLE UNIT

IMPORTANT: 2 people are required for this step.

1. Lift the unit into position supported of the lower rear Rail.
2. Align the mounting holes on the upper front edge of the storage unit to the holes on the hanging rail. (Drawer or cupboard doors will need to be opened or removed to allow visual inspection and to mount).
3. Screw in mounting bolt (use all bolt holes).

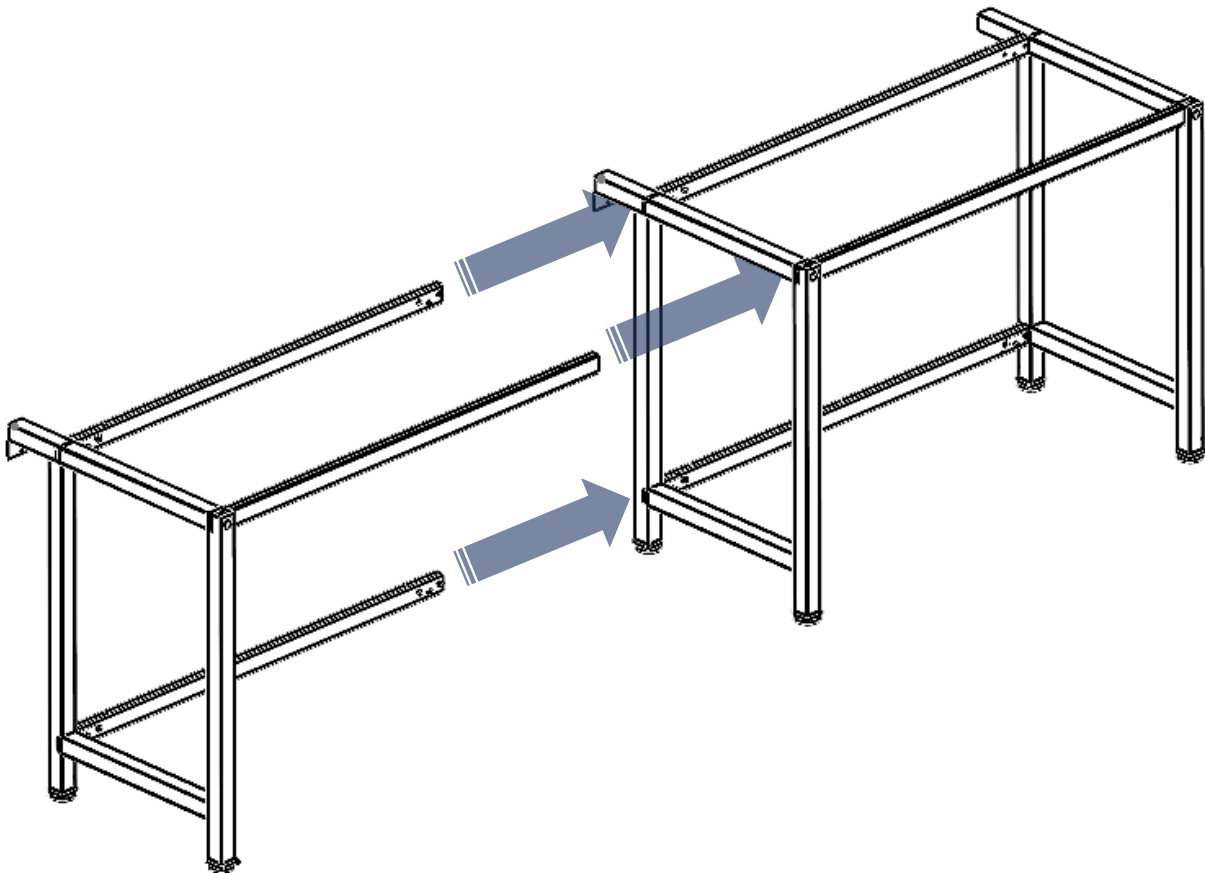


ATTACHING 2 FRAMES

NOTE: It is recommended that units are attached prior to assembly of storage units.


IMPORTANT: 2 people are required for this step.


1. Assemble second unit as per the previous steps but without a leg assembly on the connecting side.
2. Align the rail assemblies with the Mid Brackets.
3. Connect using 3x screws per rail.



MAINTENANCE

The Konvolve system has been designed to require minimal maintenance during its service life. No greasing or lubrication are required under normal operational conditions. Below are some basic operations which can help your pod operate normally throughout its service life.

-  Turn off all live electrical and gas supplies to the unit. All work to be carried out by suitably qualified professional.

-  Electrical and Gas testing to be completed in accordance with regulations.

- Visually check drawer runners, and remove any debris as required.

WARRANTY

Pinnacle Furniture is a brand of Eightspace LLP.

This product has been subject to extensive lifecycle testing and this warranty is reflective of this.

Any product defect notification must be accompanied by a serial number (located on the lower face of the Main Carriage Assembly, visible when the Delivery Pod is in the lowered position), date of purchase, contact name, address and daytime telephone number. If this information is not provided, we may be unable to process your warranty claim.

1. Eightspace LLP (We, Our, Us) warrants this Product (excluding labour, travelling and expenses) to be in free of manufacturing defects during the period of warranty. The period of warranty is 5 Years and commences on the date of despatch of the product from Eightspace LLP. Extended warranty is available beyond the manufacturers 2-year standard warranty. Please contact Eightspace for details.
2. The warranty consists of (at Eightspace's discretion) either repair or replacement spare parts only that will be provided on an exchange basis and will either be new, equivalent to new or re-conditioned. All replaced spare parts and products shall become the property of Eightspace and are required to be returned to Eightspace for analysis, and acceptance of warranty terms.
3. Unless agreed in writing, the warranty will not apply: (a) because you have not used, stored or fitted the product properly; or because you are in breach of the terms of this warranty or the contract terms, or have not followed the instructions in the installation/user manual, or because of damage or defect due to wilful neglect or negligence by anyone ; (b) to loss of quality, degradation of performance or actual damage that results from the use of spare parts or other replaceable items that are neither made nor recommended by Eightspace; (c) to a loss of quality, degradation of performance or damage that results from the installation of, damage to, or modification to the product by someone else other than suitably qualified professionals or because of damage that results from changes required by you or a third party; (d) to damage that results from your connection of other fittings or accessories to the product which have not approved or your connection of other equipment not approved by us; (e) because of external causes outside our control which shall include accident, fire disaster or burglary; (f) because of faults caused by shock or fall, sand, dust, dirt, damp or corrosion, repair by unauthorised personnel; (g) because of any malfunction or specific requirement of any other item of hardware, which you have linked to the product in respect of items not included in the contract.
4. As far as the law allows, we will not be responsible for the following: (a) loss of income, profits (actual or anticipated), and contracts or for any other business-related loss; (b) indirect or consequential loss or damage howsoever caused; (c) compensation for fitting of replacement parts.
5. These conditions shall in all respect be governed and construed in accordance with English Law and subject to the exclusive jurisdiction of the English Courts.